



*Technical description:
Pilot Moving Bed Trickling Filter
19 February 2008*

MBTF

*Date 18 February 2008
Version 1*

1 The MBTF Pilot installation.



The Pilot installation

Dimensions:

Height	: 2 metres
Diameter	: 0.5 metres
Footprint	: 0.19 m ²
Carrier	: 0.45 m ³



Pilot installation as a practical setup

The pilot installation is a completely automated system and is driven using a PLC.

Settling tank

Pump unit

Control unit

RCL Demo tricklingfilter:

- 1x Reactor
- 0.4m³ carrier (A= 500m²/m³)
- Frequency driven:
 - Trickling pump 1.5kW
 - Carrier pump 2.2kW
 - Barrier fluid pump 1.1kW
 - Ventilator 0.75kW
- Control unit
- External settling unit 1.0m³ (A=1.1m²)

Technical specifications:

Empty weight: 1000 kg

Voltage: 380v + zero

Power consumption: +/- 5.5kW (max)

CEE plug 5-pol. 16A

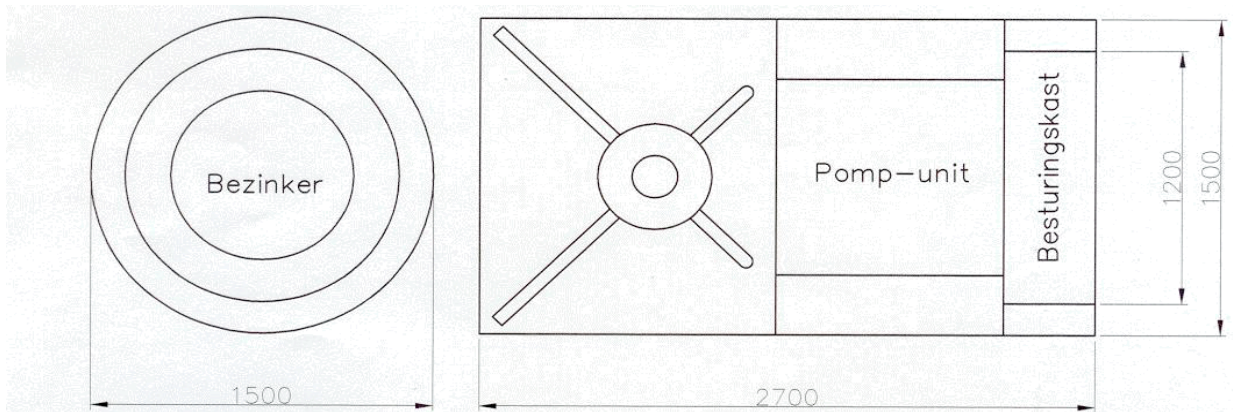
Compressed air: 6-8 bar

Settling tank

Reactor

Pumping unit

Control unit



RCL Demo tricklingfilter:

- 1x Reactor
- 0.4 m³ drager (A= 500m²/m³)
- Frequentie gestuurd:
Tricklingpomp 1.5kW
Dragerpomp 2.2kW
Spervloëistofpomp 1.1kW
Ventilator 0.75 kW
- Schakel/regelkast
- Externe Bezinker 1,0 m³ (A=1,1m²)

Technische geg.:

Ledig gewicht: 1000 kg
 spanning: 380v + nul
 Verbruik: ±5,5kW (max)
 CEE contactstop 5-pol. 16A
 Perslucht: 6-8 bar

